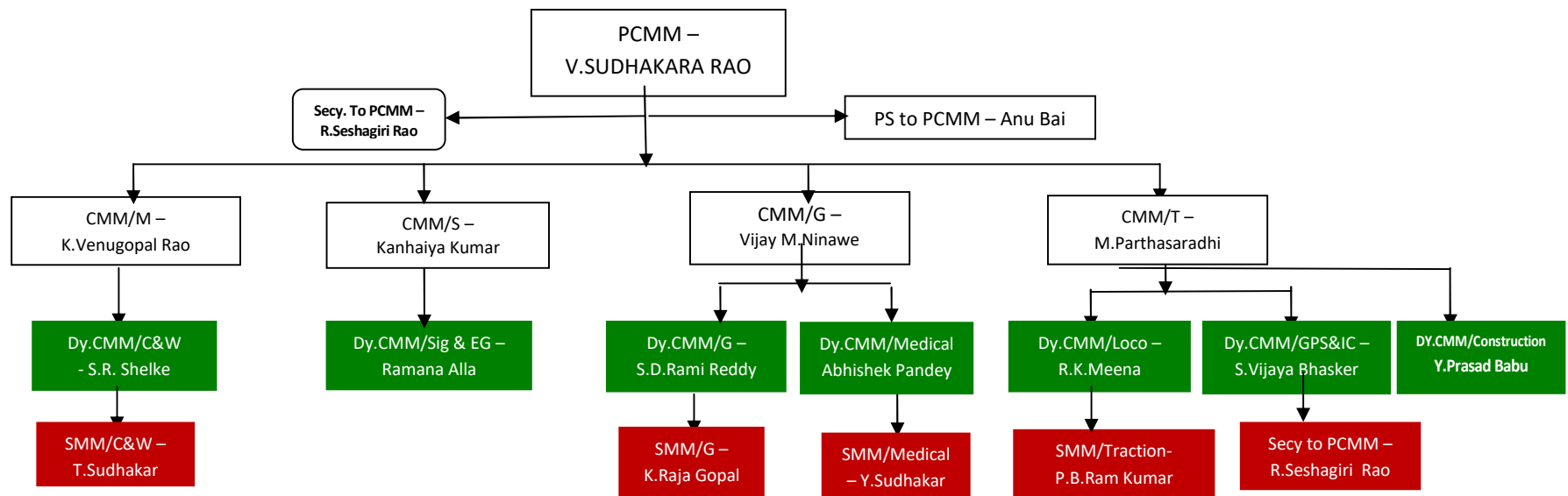


# ORGANISATION CHART OF PCMM'S OFFICE - HQRS

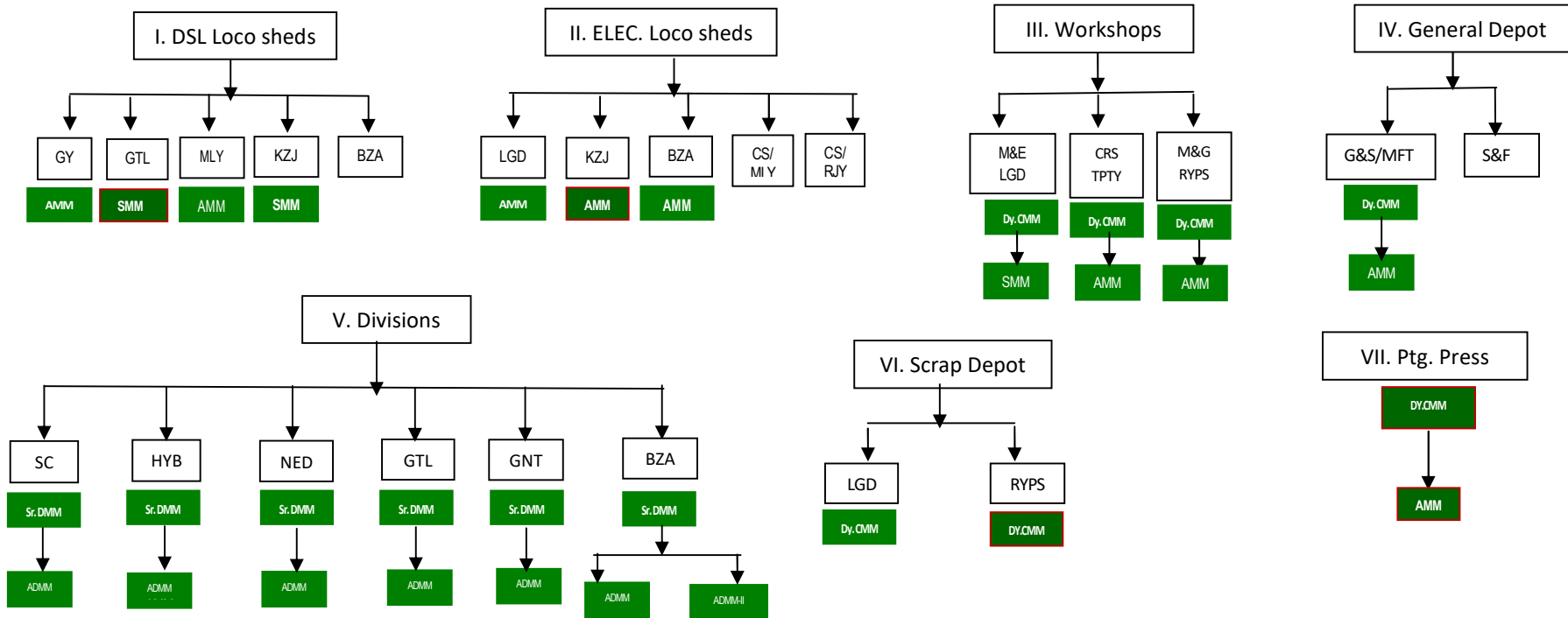


## VIGILANCE ORGANISATION

Dy. CVO/Stores - Ankur Srivastava

1. Shri N.V.Naik, working as SMM in RE Organization
2. AMM/C&W transferred as ADMM/NED
3. AMM/EG transferred as ADMM/GNT

# ORGANISATION CHART OF STORES OFFICERS - Field Units



1. Post of AMM/DSL/BZA transferred as AMM/SD/RYPS and now as ADMM/II/BZA
2. ADMM/II/BZA looking after MCS/RJY
3. AMM/ELS/BZA looking the duties of AMM/DSL/BZA
4. AMM/S&F/SC transferred as ADMM/GTL and now as AMM/DSL/GTL
5. AMM/P&S/SC looking after AMM/S&F/SC
6. AMM/ECSD/MLY transferred as ADMM/HYB
7. AMM/MLY looking after ECSD/MLY